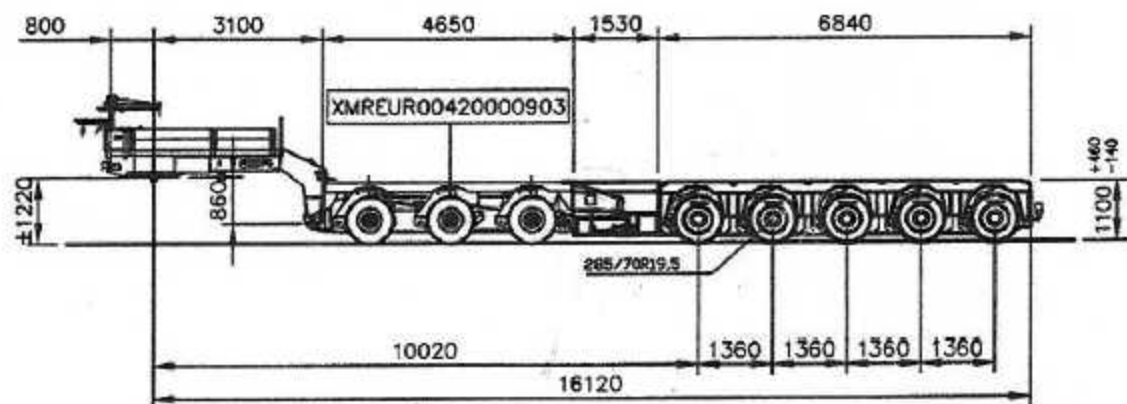
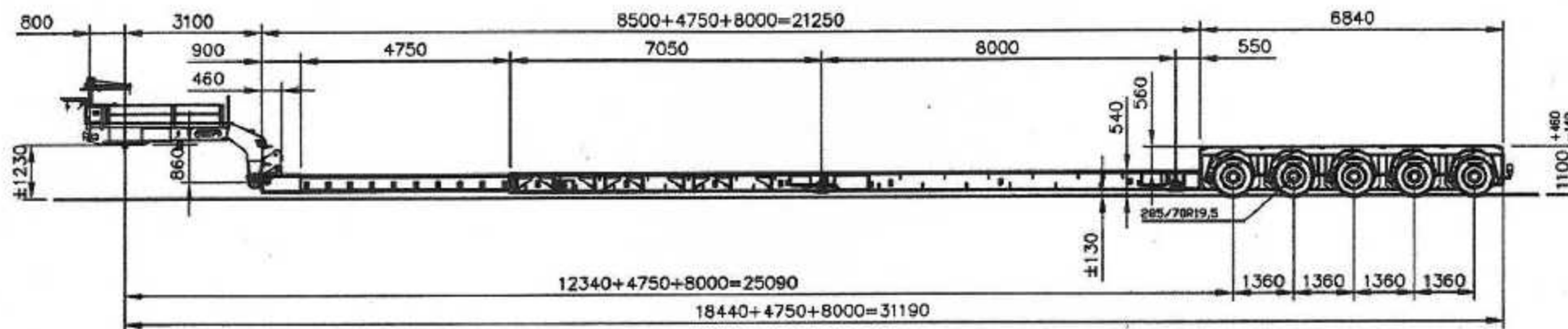
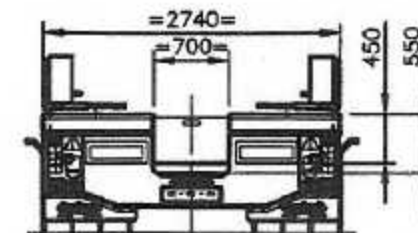


HOOGTES BELAST  
HAUTEURS EN CHARGE  
HÖHEN BELADEN  
HEIGHTS LOADED



SIA "XL TRANSPORTS"  
PVN reg. Nr: 40003187505  
Ādazi iela 28, Bukulti, Gaikalnes nov., LV-1024  
Nordea Bank: Finland Pbc Latvijas filiāle  
IBAN LVL: LV96NDEA0000082300511  
IBAN EUR: LV36NDEA0000082300524

|   |          |  |                 |
|---|----------|--|-----------------|
| ALL RIGHTS RESERVED REPRODUCTION OR DISCLOSURE TO THIRD PARTIES OF THIS DOCUMENT OR ANY PART THEREOF IS NOT PERMITTED, EXCEPT WITH THE PRIOR AND EXPRESS WRITTEN PERMISSION OF ROYAL NOOTBOOM TRAILERS B.V. ROTTERDAM, HOLLAND. |          | TOLERANTIE Wanneer geen tolerantie<br>aangegeven geldt ± 1mm |                 |
| DATUM   | 13/11/13 | EURO-100-05 (P)  |                 |
| GET.  | FUIT     | C013323(01), Alfis Ltd. (Liebherr Import)                    |                 |
| GEC.  |          | PROEKTIE   |                 |
|   |          | OPMERKING  | FORMAAT A2      |
|   |          | ACLUUT VAN   | TEK.NR. 5215915 |
| WJZIJEN HOLLAND   |          | TEKLIJST   | SCHAAL 1:75     |
| WJZIJING  |          | PAR.   | DATUM           |
|   |          | WJZ.LTR  |                 |

C013323